

Installation Instructions: Exit Sign 09141

Date	Revision
26.6.2024	1

Read these instructions before installation and retain for future reference

This equipment should be installed by a competent electrician



Important Information

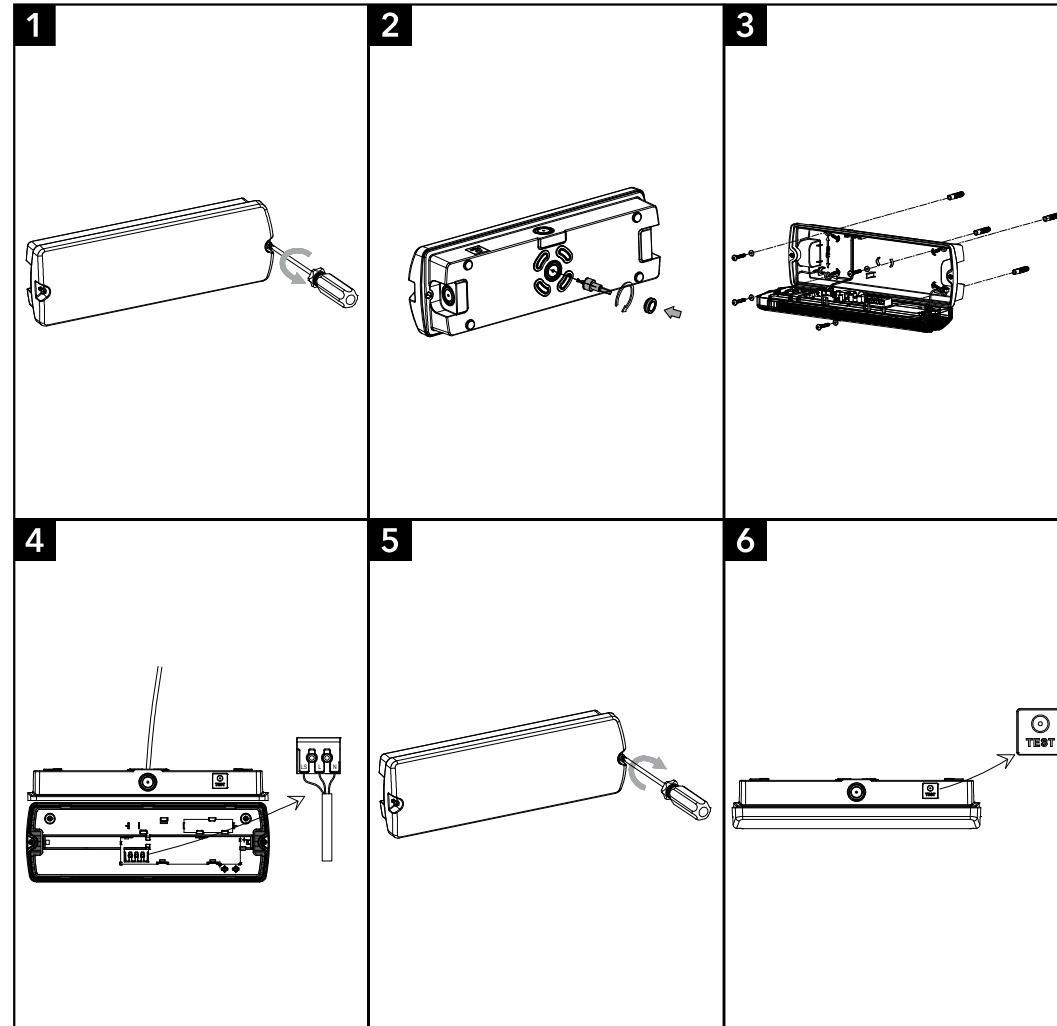
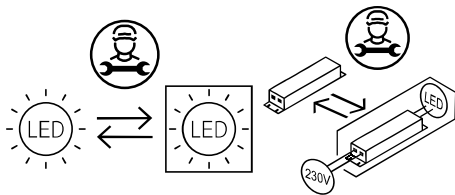
We recommend that luminaires are installed by a qualified electrician ensuring the installation complies with current IEE wiring regulations BS7671:2018 & local building control.

- All tests should be carried out in accordance to EN 50172:2004.
- BELL will not accept responsibility for any claims arising from poor installation.

Important User Advice

- The ambient room temperature should not exceed 35°C.
- Ensure that there is adequate free air ventilation around the fitting.
- Always switch off mains supply before installing.

This product may contain substances that can be hazardous to the environment if not disposed of properly. Electrical and electronic equipment should never be disposed of with general household waste but must be separated for its correct treatment and recovery. Where possible recycle your packaging.



Technical Helpline +44 (0)1924 893380

www.bellighting.co.uk

British Electric Lamps Ltd
BELL House, Foxbridge Way, Normanton Industrial Estate
Normanton, West Yorkshire. WF6 1TN

T: +44 (0)1924 893380 F: +44 (0)1924 894320 E: sales@bellighting.co.uk

www.bellighting.co.uk



Installation Instructions: Exit Sign 09141

Date	Revision
26.6.2024	1

Read these instructions before installation and retain for future reference
 This equipment should be installed by a competent electrician



Testing & Commissioning for Emergency Luminaire

- Ensure the Load is connected.
- Connect the battery.
- Switch on the Unswitched Supply
- Check the Charge LED illuminates.
- Switch on the Maintained Supply
- Check the LED illuminates as normal.
- Switch off the Maintained Supply.
- Switch off the Unswitched Supply
- Check the Charge LED extinguishes and the load LED illuminates at a reduced output.
- Enter the commissioning date on the Battery Pack.
Switch on the Unswitched Supply

Luminaire Ref/Location	In Case of difficulty, contact the Installation Engineers:- Tel: _____									
Full Recharge Time 24 Hours	Duration 3 Hours			Lamp Type - LED						
ROUTINE TEST RECORD										
Monthly Test	Year 1		Year 2		Year 3		Year 4		Year 5	
	Signed	Date	Signed	Date	Signed	Date	Signed	Date	Signed	Date
Functional										
Functional										
Functional										
Functional										
Functional										
Functional										
Functional										
Functional										
Functional										
Functional										
Functional										
Functional										
Three Hour										

Technical Helpline +44 (0)1924 893380

www.bellighting.co.uk

British Electric Lamps Ltd
 BELL House, Foxbridge Way, Normanton Industrial Estate
 Normanton, West Yorkshire. WF6 1TN

T: +44 (0)1924 893380 F: +44 (0)1924 894320 E: sales@bellighting.co.uk

www.bellighting.co.uk